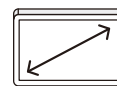
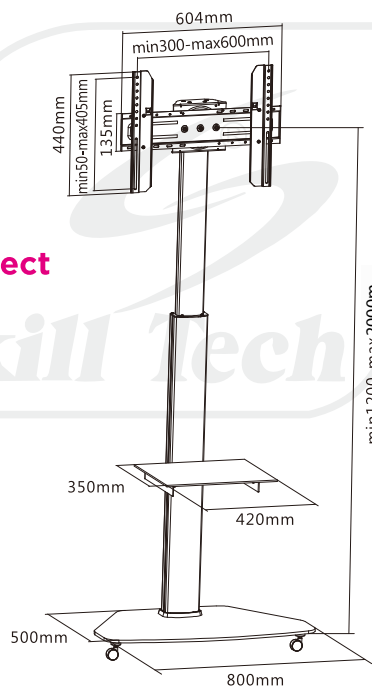


SH 400FS TV CART

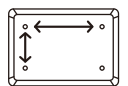
For most 37"-70" flat panel TVs



**Height & Angle
Adjustable for Perfect
Viewing Position**



Screen Size
37"-70"



VESA Compatible
**200x200 300x300
400x200 400x400
600x400**



Weight Capacity
40kg/88lbs



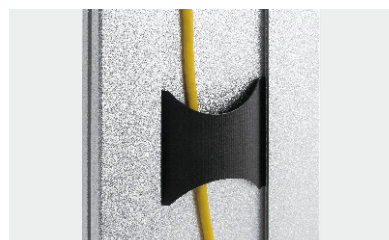
Screen Rotation
180°



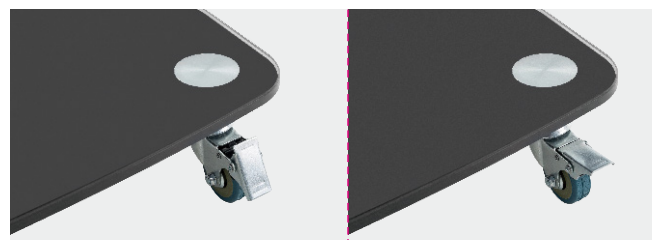
Cable
Management



Portrait or Landscape Orientation
ideal for TV viewing and
presentation use.



Cable Management
keeps everything organized.



Locking Casters
ensures increased stability and safety.